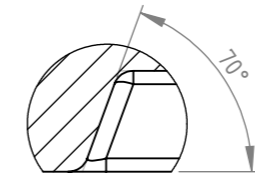
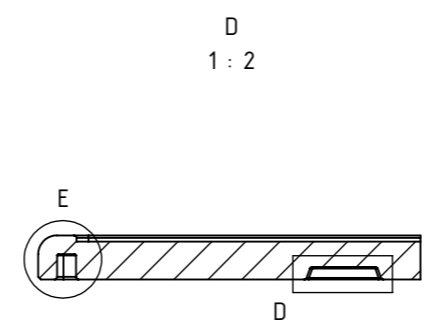
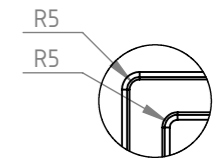
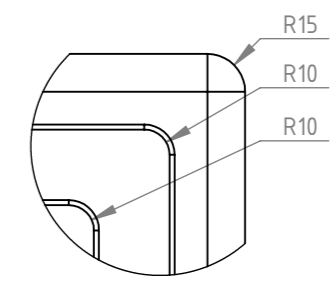
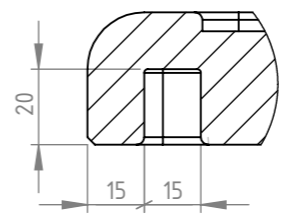
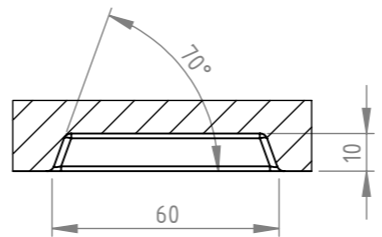
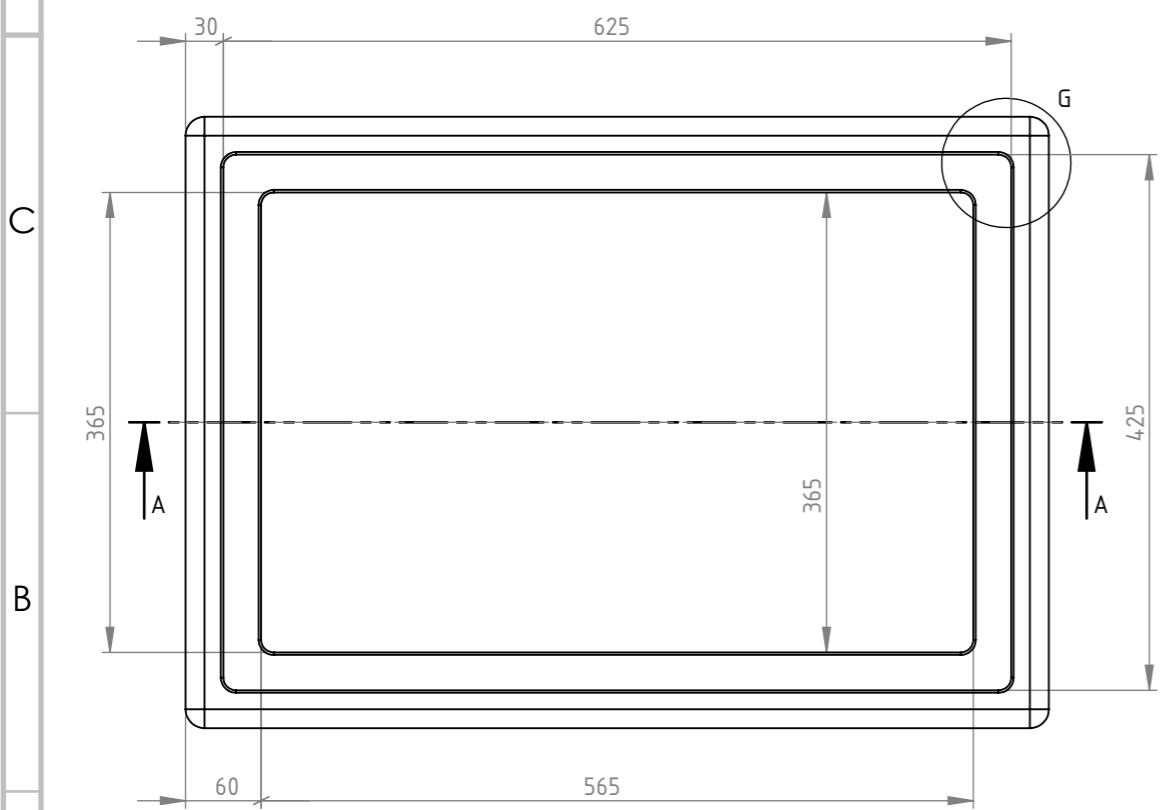
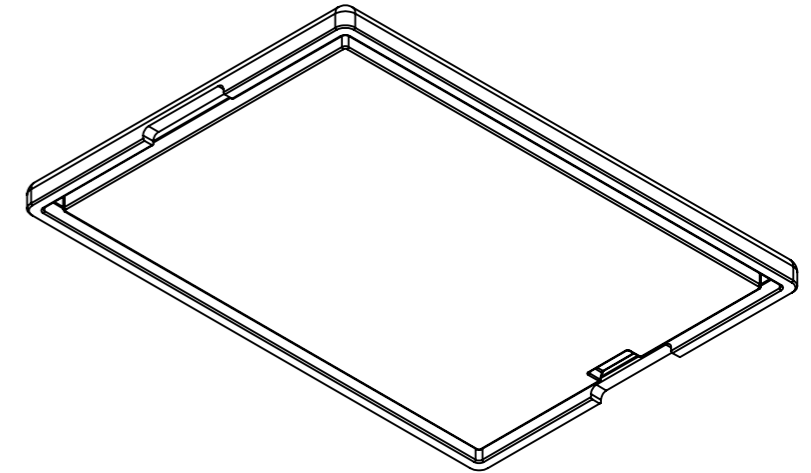
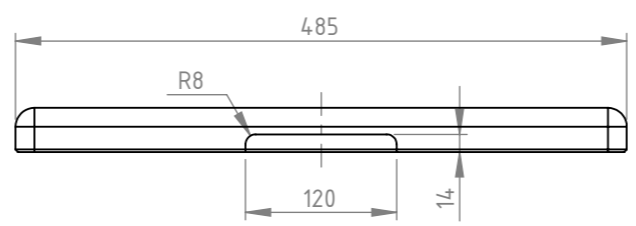
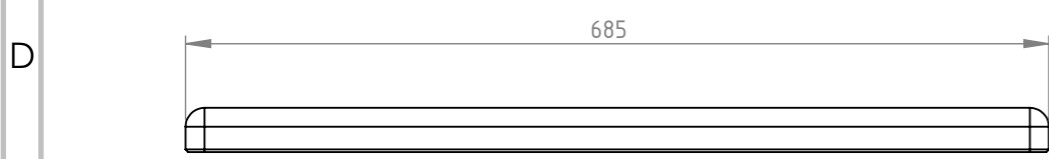
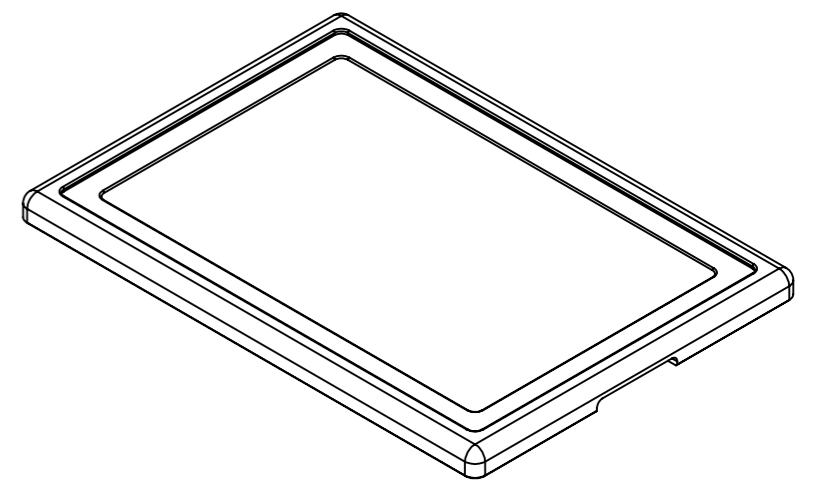
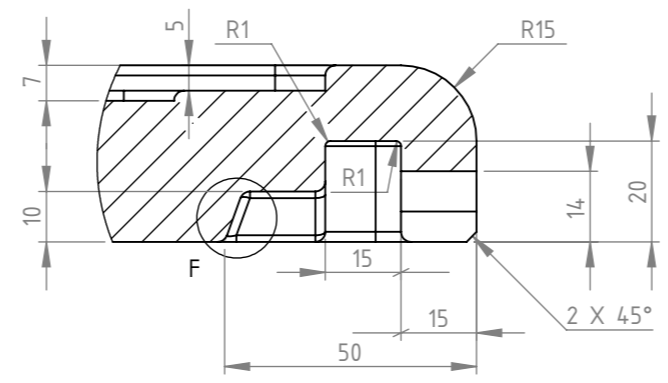
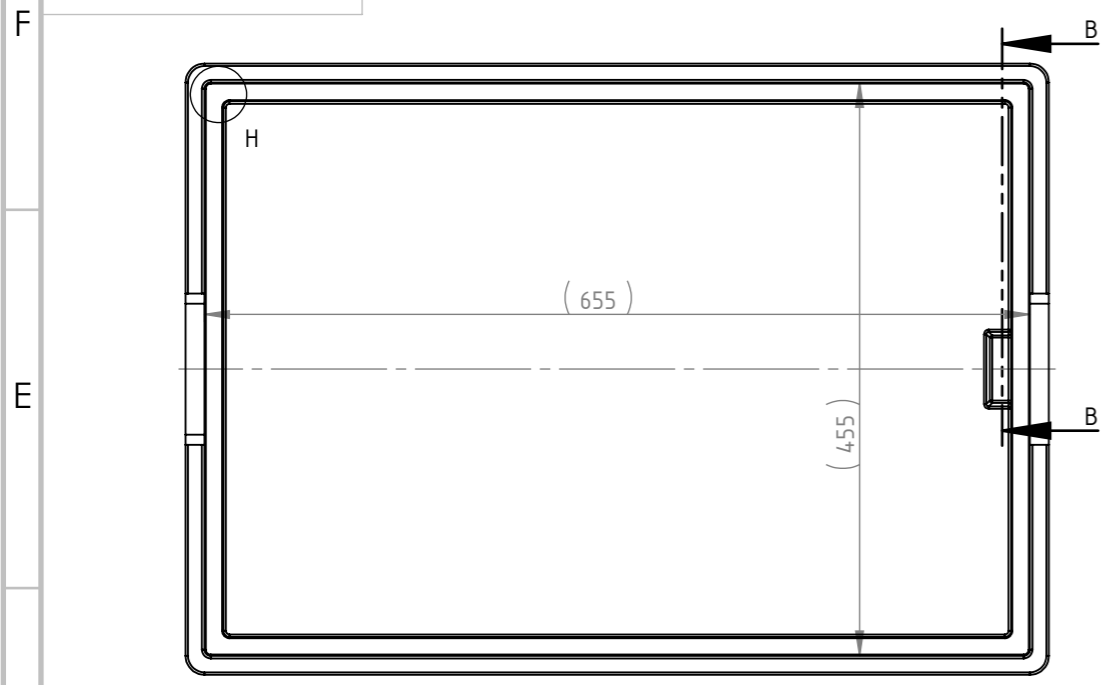


Drawing Number:
GB.PO.200/300

Rev.No:	Date:	Modifier:	Change:	Approved by:	Date:



G
1 : 3

H
1 : 3

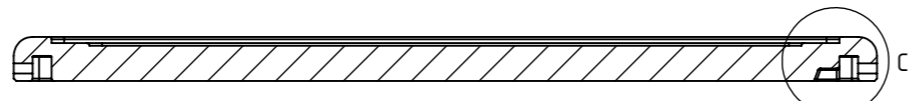
F
2 : 15

C
1 : 15

D
1 : 2

E
1 : 2

B-B



A-A

RESERVED AND CONFIDENTIAL:
The presented version of the drawing is exclusively the property of Arpack Polska Sp. z o.o. in accordance with the Copyright Art and related rights (Dz.U. Nr.24, poz.83 of 04 February 1994) the project is protected by copyright. Reproduction of this drawing in whole or in part, is distribution, disseminating or modification without the author's consent is prohibited and threatens legal consequences.

Niezwymiarowane promienie R2/Not dimensioned radii R2.

Tolerance according to ISO 2768 1 - c
Weight tolerance +/-10%

Version date:	Version number:	Material:	Scale:	Weight:	Density:	Volume:
2020-11-10	2020/1	Piocalan	1:6	353.05 g	39 g/l	9052488.10 mm
3D by:	Date:	Name:	Designer:			
2D by:	2020-11-10	Ł.Senger	Arpack Polska Sp. z o.o.			
Checked:	2020-11-10	Ł.Senger	Name:			
Approved:			Arpack Polska Sp. z o.o.			
Print date:	2020-11-10		Art.no.:			
			GB.PO.200/300			
			Original format A3			
			Page 1 of 1			